

PEPPERL+FUCHS BEBCO EPS®

6000 SERIES PURGE/ PRESSURIZATION SYSTEM



PEPPERL+FUCHS 6000 SERIES – THE MOST ADVANCED PURGE/PRES

Pepperl+Fuchs announces the addition of the 6000 Series to the Bebco EPS product line. This new series has a stainless steel housing that contains the controller, pneumatics, electrical I/O, and programming interface. The programming screen allows easy setup and operation and lets the user program the system according to the requirements of the application. The screen also displays information such as flow, pressure, and system status. The pressure and flow feedback is provided to the control unit by the vent. With global certifications and a modern century design, the Purge 6000 is the most advanced system on the market! Pepperl+Fuchs continues to be “The Leaders in Purging Technology”.

STANDARD MODEL APPLICATIONS

Model Numbers:	6000 Type X & Ex px
Designation:	Rapid Exchange® purging systems
Enclosure Volume:	7.1 m ³ / 250 ft ³ max.
EX approvals:	Ex II 2GD EEx px, ib, de, d, IIC, DEMKO ATEX to the EN 60079-2 for gas, IEC 61241-4 for dust, designated Ex px IECEX
cULus:	Type X, Class I / Division 1 / Groups A-D, Class II / Division 1 / Groups E, F, & G to the NFPA 496
Safety Integrity Level:	IEC 61508, SIL2. SIL3 option available



6000 SERIES CONTROL UNIT

Manifold for purging and pressurization

Easy connection to protective gas supply

I.S. wiring terminals

EPCU electronics

Explosion proof/flameproof enclosure

Power connection, easy to add poured seals

Cable glands for I.S. inputs/outputs

TYPE X & Ex px

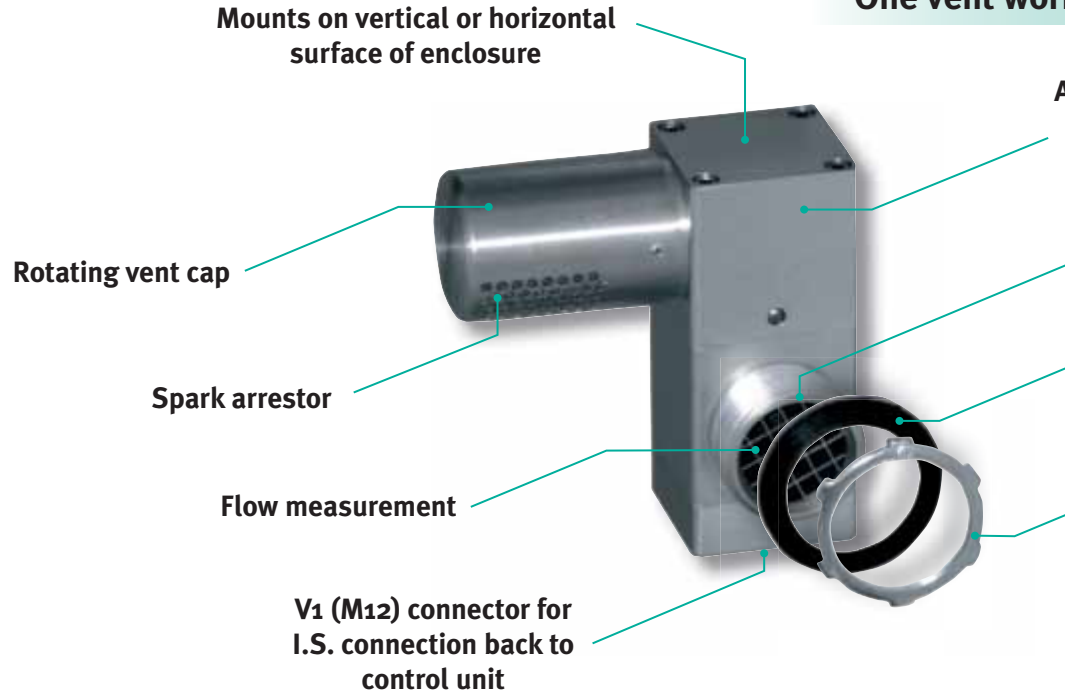
ASSURIZATION SYSTEM IN THE INDUSTRY

UNIT

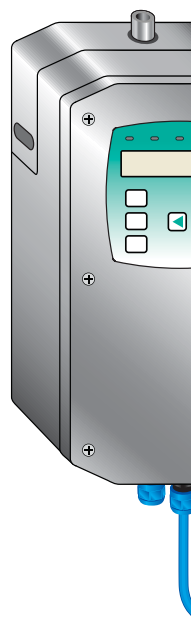
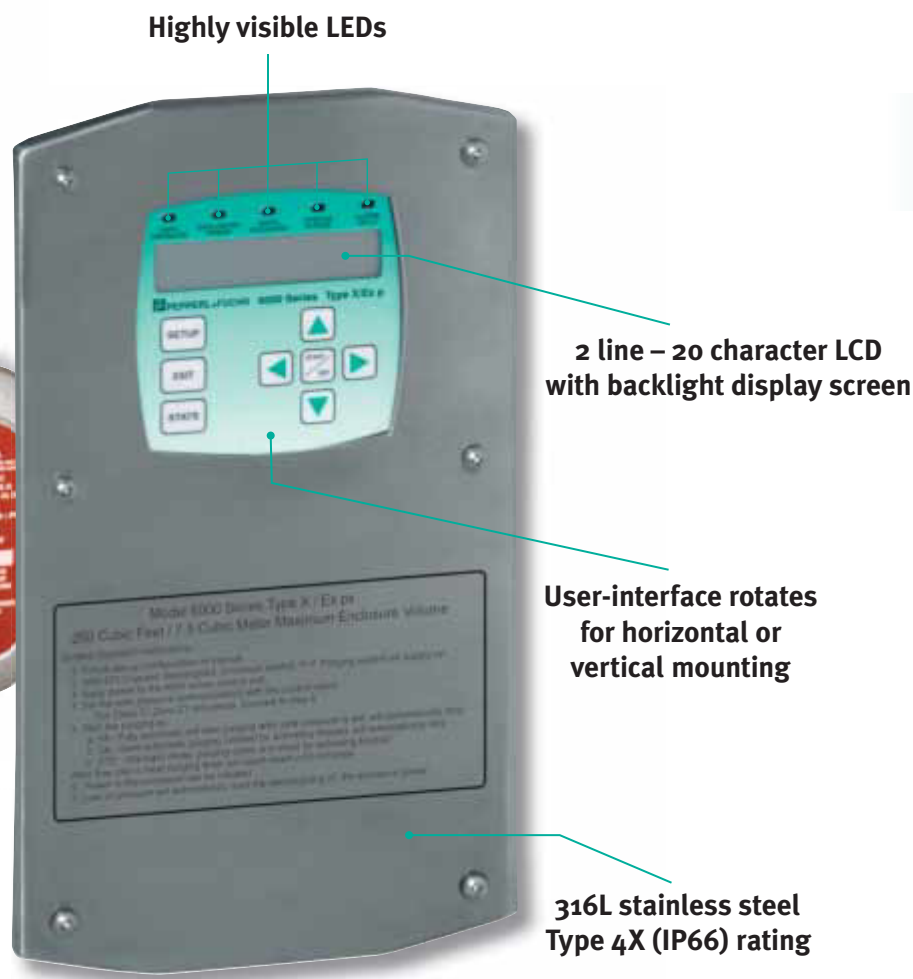


EPV-6000 VENT

One vent work



Control unit and vent can be mounted ins



Purge and pressurization protection is suitable for many applications and is one of the most flexible Ex protection solutions. The Bebco EPS® systems by Pepperl+Fuchs provide the means to operate general purpose equipment in classified areas or in environments that are highly corrosive or dusty. The principle behind purge and pressurization systems is to prevent a corrosive, dusty, or potentially explosive atmosphere from penetrating a closed protective housing using a standard overpressure technology. With a complete range of solutions for both Zone and Division applications, Pepperl+Fuchs offers the expertise and solutions to satisfy the safety and operational requirements for today's process automation environments.

For more information about our complete line of purge and pressurization solutions, visit www.pepperl-fuchs.com.

s for all enclosure sizes

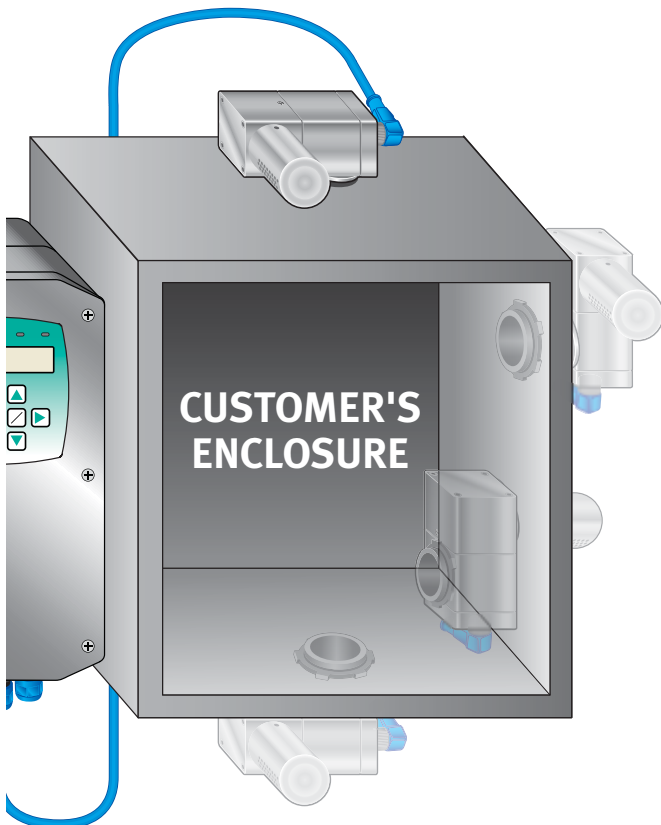
odized 6063T marine grade aluminum with 316L SS option

1.5" NPT knockout

Seal washer

Lock nut

can be mounted in any orientation—vent side enclosure with vent cap on outside



TYPICAL APPLICATIONS



The 6000 series' rugged housing is designed to withstand harsh and corrosive environments.



Pepperl+Fuchs purge/pressurization systems support a wide range of cabinet enclosure solutions.



In hazardous locations, where flammable vapors, gases, and dust are present, Pepperl+Fuchs 6000 series helps prevent plant explosions.

BENEFITS AND FEATURES

■ Global Certifications

Certified for use in North America, Europe, and Asia, this series is your single solution for all your purge/pressurization applications.

■ Rugged Construction

Extremely durable construction makes the series well-suited for use in applications where corrosive or potentially explosive environments exist.

■ Advanced and Flexible Design

- Universal mounting options make the unit easy to integrate into existing and customized systems and allow you to mount the unit and vent in any vertical or horizontal orientation on your enclosure.
- A user-friendly interface with back-light LCD and highly visible LEDs allows easy programming and operation. The interface can be rotated to any orientation your application requires.
- The manifold has an automatic purging and pressurization feature that offers considerable cost savings on gas for applications using non-atmospheric air.

■ One “Smart” Vent for All Enclosures

- A gravity-free flapper and rotatable vent cap with spark arrestor allow the vent to be mounted in any orientation—even inside your enclosure.
- An internal flow and pressure sensor detects different rates of purging and pressurization giving you the ability to have multiple flow rates.

■ Efficient and Reliable Service

When purchasing from Pepperl+Fuchs you get more than a system. You also get our expertise and support. Our experts are available to assist you with your application whenever and wherever you need it. From order to delivery, we are able to assist you with our global sales organisation and local networks.



FLAMMABLE GAS
Explosion Prevention
VAPOR DUST

PROCESS AUTOMATION – PROTECTING YOUR PROCESS



For over a half century, Pepperl+Fuchs has been continually providing new concepts for the world of process automation. Our company sets standards in quality and innovative technology. We develop, produce and distribute electronic interface modules, Human-Machine Interfaces and hazardous location protection equipment on a global scale, meeting the most demanding needs of industry. Resulting from our world-wide presence and our high flexibility in production and customer service, we are able to individually offer complete solutions – wherever and whenever you need us. We are the recognized experts in our technologies – Pepperl+Fuchs has earned a strong reputation by supplying the world's largest process industry companies with the broadest line of proven components for a diverse range of applications.

1 Worldwide/German Headquarters

Pepperl+Fuchs GmbH
Mannheim · Germany
Tel. +49 621 776 2222
E-Mail: pa-info@de.pepperl-fuchs.com

2 Asia Pacific Headquarters

Pepperl+Fuchs PTE Ltd.
Singapore
Company Registration No. 199003130E
Tel. +65 6779 9091
E-Mail: pa-info@sg.pepperl-fuchs.com

3 Western Europe & Africa Headquarters

Pepperl+Fuchs N.V.
Schoten/Antwerp · Belgium
Tel. +32 3 6442500
E-Mail: pa-info@be.pepperl-fuchs.com

4 Middle East/India Headquarters

Pepperl+Fuchs M.E (FZE)
Dubai · UAE
Tel. +971 4 883 8378
E-mail: pa-info@ae.pepperl-fuchs.com

5 North/Central America Headquarters

Pepperl+Fuchs Inc.
Twinsburg · Ohio · USA
Tel. +1 330 486 0002
E-Mail: pa-info@us.pepperl-fuchs.com

6 Northern Europe Headquarters

Pepperl+Fuchs GB Ltd.
Oldham · England
Tel. +44 161 6336431
E-Mail: pa-info@gb.pepperl-fuchs.com

7 Southern/Eastern Europe Headquarters

Pepperl+Fuchs Elcon srl
Sulbiate · Italy
Tel. +39 039 62921
E-Mail: pa-info@it.pepperl-fuchs.com

8 Southern America Headquarters

Pepperl+Fuchs Ltda.
São Bernardo do Campo · SP · Brazil
Tel. +55 11 4341 8448
E-Mail: pa-info@br.pepperl-fuchs.com

www.pepperl-fuchs.com

 **PEPPERL+FUCHS**
PROTECTING YOUR PROCESS