



Designed for use on SCR and PWM type direct current adjustable speed drives and on across-the-line DC controls. Ideal applications include conveyors, turntables, packaging or anywhere adjustable speed and constant torque is required.

STANDARD FEATURES



- SCR Rated
- 20:1 Constant Torque speed range
- 1.0 Service Factor
- Rolled Steel Frame Construction
- Bolt-on Removable Base
- Double Shielded Ball Bearings
- 1045 Steel Shaft
- Corrosion Resistant Hardware
- Continuous (S1) Duty
- Ambient Temperatures up to 40°C
- Installation up to 3300 ft. (1000 MASL)
- IP 54 (TEFC) & IP 55 (TENV) Rated
- Class F Insulation
- Class B Temperature Rise
- 12 Month Warranty

HP	Model Number	Sync. Speed	Frame	Voltage (DC)	Encl.	Full Load Amps (A)	Shipping Weight	"C" Dim	List Price
1/8	DC18-12-63-NV	1800	63B14	12 V	TENV	10.7	6	167mm	\$428
	DC18-90-63-NV	1800	63B14	90 V	TENV	1.4	6	167mm	\$362
1/4	DC14-12-63-NV	1800	63B14	12 V	TENV	21.5	8	216mm	\$470
	DC14-90-63-NV	1800	63B14	90 V	TENV	2.8	8	216mm	\$379
	DC14-90-56-NV	1800	56C	90 V	TENV	2.9	21	11.2"	\$307
1/3	DC14-90-56-FC	1800	56C	90 V	TEFC	2.9	21	11.6"	\$318
	DC13-90-56-NV	1800	56C	90 V	TENV	3.6	23	11.2"	\$332
1/2	DC12-90-56-NV	1800	56C	90 V	TENV	5.2	25	12.0"	\$391
	DC12-12-56-FC	1800	56C	12 V	TEFC	39.0	25	12.4"	\$573
	DC12-90-56-FC	1800	56C	90 V	TEFC	5.2	25	12.4"	\$379
	DC12-180-56-FC	1800	56C	180 V	TEFC	2.6	25	12.4"	\$379
3/4	DC34-90-56-FC	1800	56C	90 V	TEFC	7.8	30	13.9"	\$468
	DC34-180-56-FC	1800	56C	180 V	TEFC	3.9	30	13.9"	\$462
1	DC1-90-56-FC	1800	56C	90 V	TEFC	10.4	33	14.8"	\$507
	DC1-180-56-FC	1800	56C	180 V	TEFC	5.2	33	14.8"	\$490
1.5	DC112-180-145-FC	1800	145TC	180 V	TEFC	7.2	45	16.0	\$1,096
2	DC2-180-145-FC	1800	145TC	180 V	TEFC	10.4	55	16.8	\$1,223
3	DC3-180-145-FC	1800	145TC	180 V	TEFC	17	70	17.7	\$1,373

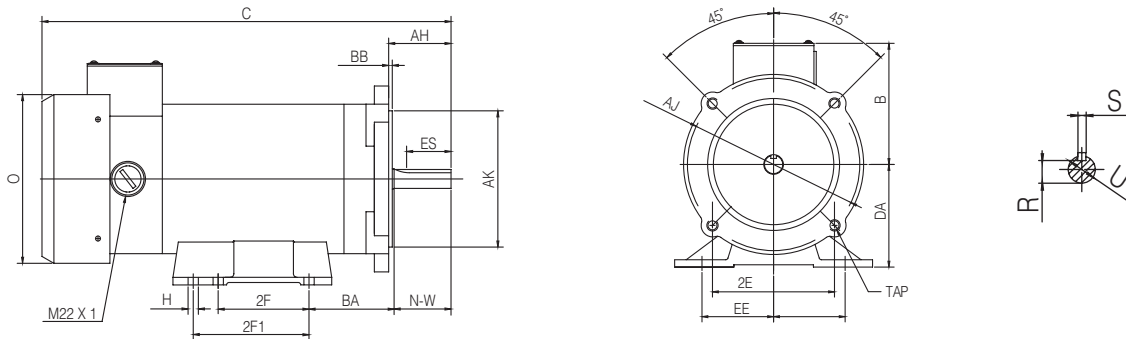
* FC = FAN COOLED NV = NON VENTILATED

PM DC MOTOR REPLACEMENT PARTS

Part	Model Number	Description	List Price
Fan	DC4 FAN	External Cooling Fan for DC4 Series Motors	\$23
	DC8 FAN	External Cooling Fan for DC80/81/82 Series Motors	\$25
	DC8-CF	External Cooling Fan for 140T Frame Series Motors	\$25
Fan Cover	DC4 FAN COVER	External Cooling Fan Cover for DC4 Series Motors	\$36
	DC8 FAN COVER	External Cooling Fan Cover for DC80/81/82 Series Motors	\$40
Carbon Brush	DCRBIEC-16/18	MLD Carbon Brush 10mm x 5mm (DC16/DC18)	\$29
	DCRBIEC-14	MLD Carbon Brush 10mm x 8.5mm (DC14)	\$29
	DCRBN-56	MLD Carbon Brush 16mm x 6mm 56C	\$29
	DCRBN-140	MLD Carbon Brush 18mm x 10mm 140TC	\$45
Brush Caps	DCRBCIEC-14	MLD DC 63B14 Brush Caps	\$10
	DCRBCN-56	MLD DC 56C Brush Caps	\$10
	DCRBCN-140	MLD DC 140TC Brush Caps	\$10

DIMENSIONAL DRAWINGS

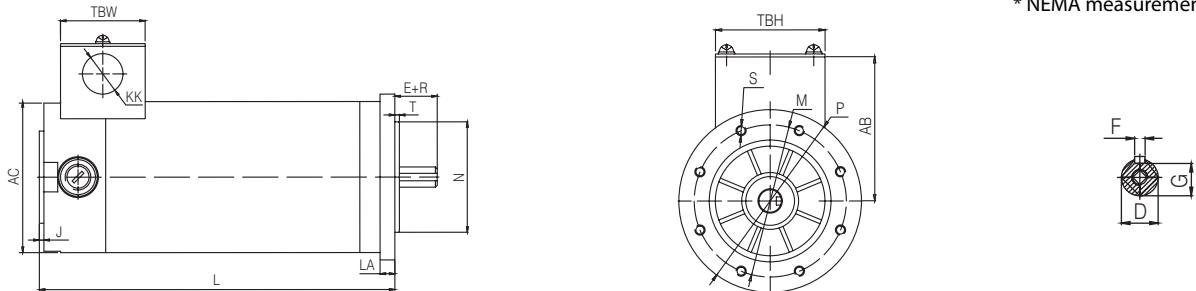
NEMA



NEMA Frame (HP)	Encl.	Foot Mounting					Shaft					General			NEMA C-Flange					
		2E	2F	2F1	H	BA	N-W	U	S	R	ES	AH	C	D	O	AB	AJ	AK	BB	TAP
56C (1/4)	TEFC	4.88	3.0	--	0.34	2.75	1.875	0.625	0.188	0.517	1.41	2.063	11.63	3.5	5.625	4.0	5.875	4.50	0.125	3*75-16
56C (1/4)	TENV	4.88	3.0	--	0.34	2.75	1.875	0.625	0.188	0.517	1.41	2.063	11.18	3.5	5.625	4.0	5.875	4.50	0.125	3*75-16
56C (1/3)	TEFC	4.88	3.0	--	0.34	2.75	1.875	0.625	0.188	0.517	1.41	2.063	11.63	3.5	5.625	4.0	5.875	4.50	0.125	3*75-16
56C (1/3)	TENV	4.88	3.0	--	0.34	2.75	1.875	0.625	0.188	0.517	1.41	2.063	11.18	3.5	5.625	4.0	5.875	4.50	0.125	3*75-16
56C (1/2)	TEFC	4.88	3.0	--	0.34	2.75	1.875	0.625	0.188	0.517	1.41	2.063	12.44	3.5	5.625	4.0	5.875	4.50	0.125	3*75-16
56C (1/2)	TENV	4.88	3.0	--	0.34	2.75	1.875	0.625	0.188	0.517	1.41	2.063	12.01	3.5	5.625	4.0	5.875	4.50	0.125	3*75-16
56C (3/4)	TEFC	4.88	3.0	--	0.34	2.75	1.875	0.625	0.188	0.517	1.41	2.063	13.94	3.5	5.625	4.0	5.875	4.50	0.125	3*75-16
56C (1)	TEFC	4.88	3.0	--	0.34	2.75	1.875	0.625	0.188	0.517	1.41	2.063	14.75	3.5	5.625	4.0	5.875	4.50	0.125	3*75-16
145TC (1.5)	TEFC	5.5	4.0	5.0	0.32	2.75	2.0	0.875	0.188	0.771	1.41	2.120	16.00	3.5	7.0	4.5	5.875	4.50	0.125	3*75-16
145TC (2)	TEFC	5.5	4.0	5.0	0.32	2.75	2.0	0.875	0.188	0.771	1.41	2.120	16.75	3.5	7.0	4.5	5.875	4.50	0.125	3*75-16
145TC (3)	TEFC	5.5	4.0	5.0	0.32	2.75	2.0	0.875	0.188	0.771	1.41	2.120	17.72	3.5	7.0	4.5	5.875	4.50	0.125	3*75-16

* NEMA measurements in inches

METRIC



IEC Frame (HP)	Encl.	Shaft				General							IEC B14 C-Flange					
		D	F	G	E+R	AC	AD	L	J	TBW	TBH	KK	M	N	P	T	LA	S
63 B14 (1/8)	TENV	Ø11	4	8.5	23	Ø82	71	144	2.5	65	54	Ø22	Ø75	Ø60	Ø90	2.5	8	8-M5
63 B14 (1/4)	TENV	Ø11	4	8.5	23	Ø82	71	193	2.5	65	54	Ø22	Ø75	Ø60	Ø90	2.5	8	8-M5

* METRIC measurements in millimeters